

SD-300 Dough Divider



Gimek SD-300 is an automatic suction-feed dough divider which can be used either as 1-pocket or 2-pocket. The strong construction of the SD-300 is adapted to continuous trouble free use.



Sveba Dahlen Group



Scandinavian know-how – worldwide

SD-300 Dough Divider



PLC control including a touch screen with menu based system including speed in pcs/h, piece counting, preset counting, fine tune of the belts and a reference scale for the weight
Separate control for outfeed belt



Easy to switch from 1-pocket to a 2-pocket



Dough knife in stainless steel direct connected to the hopper provides an optimal emptying of the hopper

The dividing mechanism from high quality Ni-resistant steel ensures a high weight accuracy

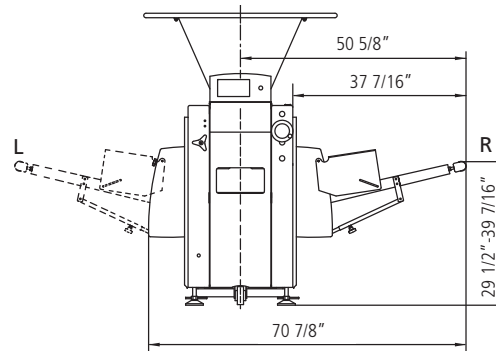
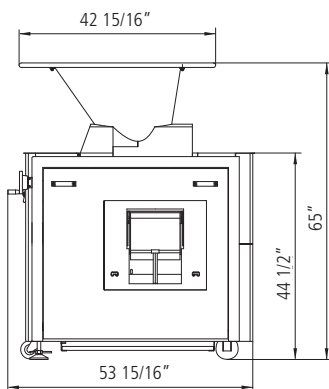
Oilreservoir 3 US gal, easy to fill

Accessories

Flour duster, mechanical	Flour duster on the first conveyor, mechanical
Hopper 59.5 US gal	Dough Hopper 59.5 US gal, approximately 330 bl dough (Standard is 26.4 US gal, 154 bl dough)
Hopper lubrication for 59.5 US gal hopper	Automatic lubrication inside the dough hopper, by means of a spread tube system
Non-stick coating of hopper 26.4 US gal	Interior of the dough hopper 26.4 US gal non-stick to assure a smooth infeed of the dough
Non-stick coating of hopper 59.5 US gal	Interior of the dough hopper US gal non-stick to assure a smooth infeed of the dough
Oiling of belt	Oiling device for oiling the first conveyor belt
Special belt	Special customized belt on one or both conveyors
Non stick coating dough scraper	Non-stick dough scraper to ensure clean deposit of sticky dough on the conveyor
Transfer roller	Support driven roller at the end of the outfeed conveyor, for sticky dough

Technical data

Capacity range	
2-pocket	1500 - 3000 dough pieces/hour
1-pocket	750 - 1500 dough pieces/hour
Weight range	
2-pocket SD-300	1.4 - 14.1 oz
1-pocket SD-300	3.5 - 35.3 oz
2-pocket SD-300 XL	5.3 - 40.6 oz
1-pocket SD-300 XL	8.8 - 81.3 oz
Power Supply	1.62 kW
Weight, net	1510 lb
Weight, gross (carton+pallet)	1642 lb
Volume, gross	160 ft ³
dB(A)	73



Left (L) or right (R) outfeed has to be specified by order



Glimek AB
Box 124
S-280 64 GLIMÄKRA
Sweden
Tel. int. +46-(0)44 449 00 • Fax +46-(0)44 449 10
e-mail: office@glimek.se • www.glimek.se



Belshaw Adamatic Bakery Group
814 44th St NW
Suite 103
Auburn Washington 98001
USA
Phone: +1 732 544 8400
Fax: +1 732 544 0735